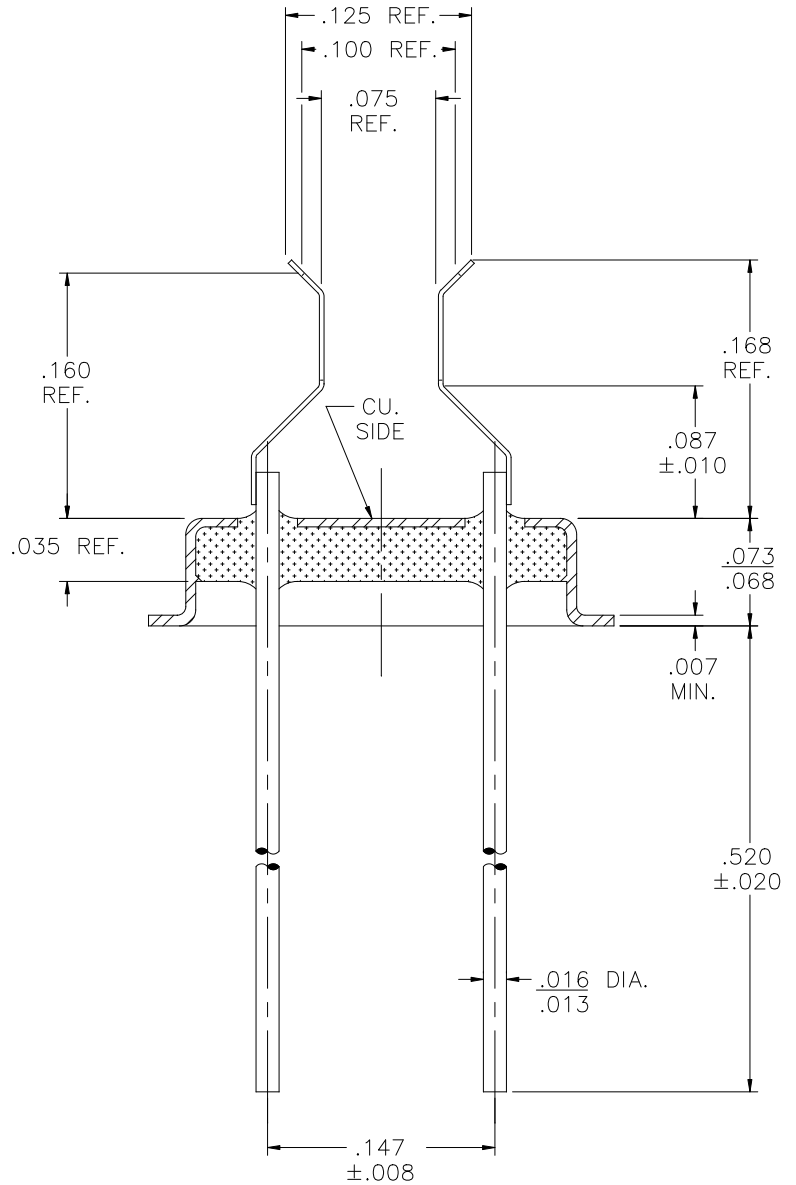
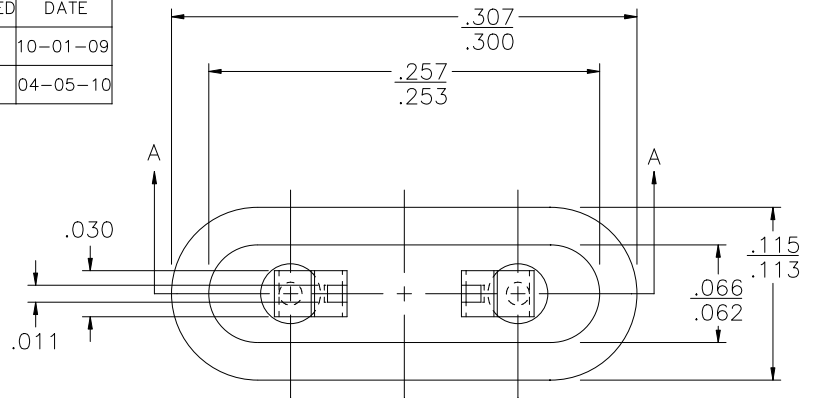


REV	DESCRIPTION OF REVISION	E.C.N.	BY	APPROVED	DATE
A	WAS P/N: CW-45-015A -SCM019AA B.075 RoHS		E.T.W.		10-01-09
B	ADJUSTED PRINT AND REMOVED PRELIMINARY		E.T.W.	J.T.	04-05-10




MATERIAL:

EYELET- 30/70 COPPER CLAD KOVAR.
GLASS - 7052 OR EQUAL.
LEADS - ASTM F-15 ALLOY, KOVAR.
MOUNT- C770 NICKEL SILVER, FULL HARD.

PLATING:

1. OPTION: RoHS COMPLIANT ELECTROLESS NICKEL PLATE OF 100 MICROINCHES MINIMUM FINAL PLATE.
2. OPTION: RoHS COMPLIANT ELECTROLESS NICKEL PLATE OF 100 MICROINCHES MINIMUM FOLLOWED BY A RoHS COMPLIANT LEAD FREE SOLDER COAT, ON LEADS ONLY.
3. OPTION: RoHS COMPLIANT ELECTROLESS NICKEL PLATE OF 100 MICROINCHES MINIMUM FOLLOWED BY A GOLD FLASH OF .99999 PURE 24 KARAT GOLD UP TO A MAX. OF 8 MICROINCHES.

SECTION A-A

DRAWN BY: E.T.W. 10-20-08		MATERIAL: SEE ABOVE		TOLERANCING PER ANSI Y14.5 .X ±.005 .XXX ±.005 .XX ±.005 ANG ±5° UNLESS OTHERWISE SPECIFIED		 6700 W. 47th TERR. MISSION, KS. 66203 TEL: 913-432-2487 FAX: 913-432-0570		
CHECKED BY:		APP. SPECS VC AMERICA	SUPERSEDES	NEXT ASSY	SCALE: 8:1			FINISH: UNLESS OTHERWISE SPECIFIED
APPROVED BY:		TITLE: HC-45/U W/ (WSM018A) WELD SLOT MOUNT BOWED				FILE: MB00051A	PAGE 1 OF 1	A